

SOLIDVAR DC

Direct Current Solid State Contactors

SOLIDVAR DC - Catalog



Solidvar DC SSC - DC Solid State Contactors

Solidvar DC Solid State Contactors, which complement the traditional line of Solidvar AC Solid State Contactors of up to 1200 A three-phase and reversing from Varixx, are an important development in the world market, with no competitors in this current range, as is the case with the AC Solidvar line.

Solidvar AC SSCs present a series of advantages in relation to conventional AC contactors, including: They turn on at zero voltage (ZVS) reducing the "Inrush Current". They turn off at zero current, eliminating high voltage transients by switching at zero energy stored in inductive loads, such as motors, for example. They support high switching times per hour. They do not require periodic maintenance. They have a long service life of over 30 years, already proven in the installed base worldwide. They increase the service life of motors by reducing instantaneous torques in the winding and eliminating over-voltages of up to 10x the nominal voltage due to the turn off at zero current (ZCS). They also have models with built-in reversal, eliminating the need to use two individual AC contactors. They do not present vibrations when turning on and off, increasing the durability of the associated equipment. Silent operation. High gain in productivity by avoiding periodic shutdowns for maintenance or replacements. Can be used in harsh environments.

Solidvar DC SSCs share some advantages of AC SSCs, including: High number of maneuvers per hour. Long service life. They do not require periodic maintenance. They do not present vibrations when turning on and off, increasing the durability of the associated equipment. Silent operation. High gain in productivity by avoiding periodic shutdowns for maintenance or replacements. Can be used in harsh environments. No electric arc when opening, which avoids the risk of the arc not being extinguished. We can also consider that they have a competitive cost in relation to conventional DC bar-type contactors, which can present accelerated contact wear due to difficulty in extinguishing the electric arc when opening the contacts, which normally requires arc extinguishing chambers, by electromagnetic blowing, which also increases the chance of arc extinguishing failure with serious consequences for the equipment and the system.

> Main Advantages



Operating in harsh environments



They do not suffer wear
No electric arc when opening



Does not require periodic maintenance



Silent and vibration-free operation



High number of maneuvers per hour

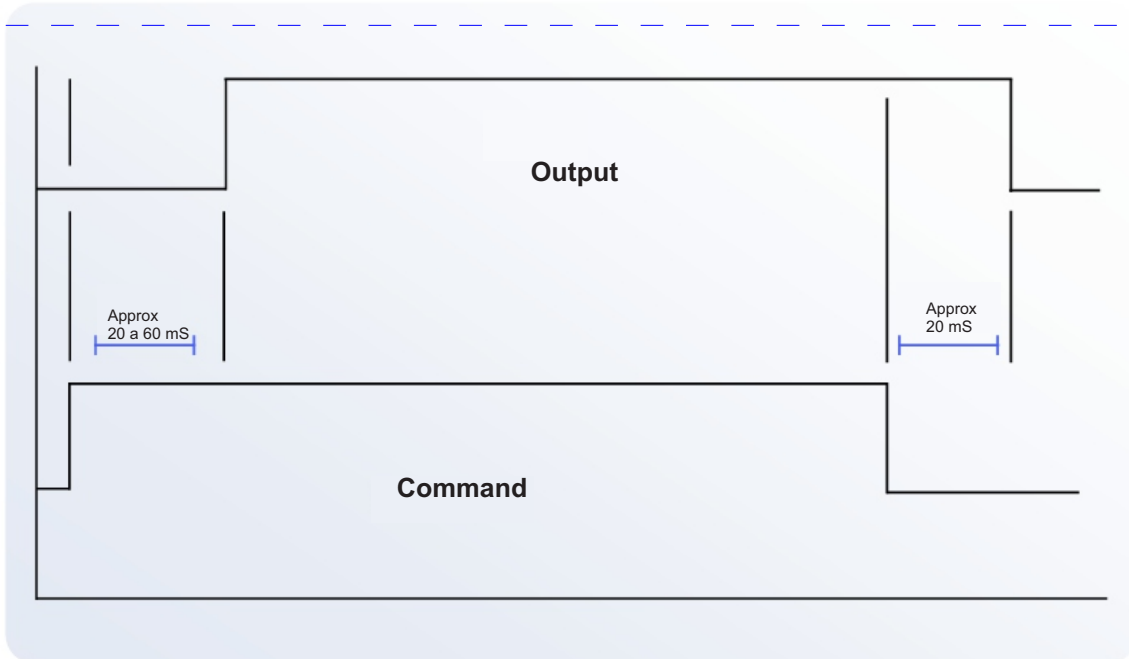


Long service life

SSC Solidvar DC



> Operating diagram



After the command, the contactor switches on after a delay of 60ms or 20ms depending on the model. If the command is removed, the power is turned off in approximately 20ms.

CURRENT (A)	COOLING	DIMENSION A x L x P (mm)
20	D0	20 >> 160 x 107 x 138
25	D0	25 >> 160 x 107 x 138
30	D0	30 >> 145 x 150 x 162
40	D0	40 >> 145 x 150 x 162
50	D0	50 >> 170 x 150 x 250
75	D0	75 >> 170 x 200 x 250
100	D1 / D2 / D3	100 >> 170 x 150 x 250
125	D1 / D2 / D3	125 >> 170 x 200 x 250
150	D1 / D2 / D3	150 >> 170 x 250 x 250
200	D1 / D2 / D3	200 >> 170 x 250 x 250
250	D1 / D2 / D3	250 >> 291 x 240 x 253
300	D1 / D2 / D3	300 >> 280 x 251 x 275
400	D1 / D2 / D3	400 >> 280 x 377 x 275
500	D1 / D2 / D3	500 >> 330 x 377 x 275
650	D1 / D2 / D3	650 >> 430 x 377 x 275
750	D1 / D2 / D3	750 >> 480 x 377 x 275
800	D1 / D2 / D3	800 >> 480 x 377 x 275





> Features

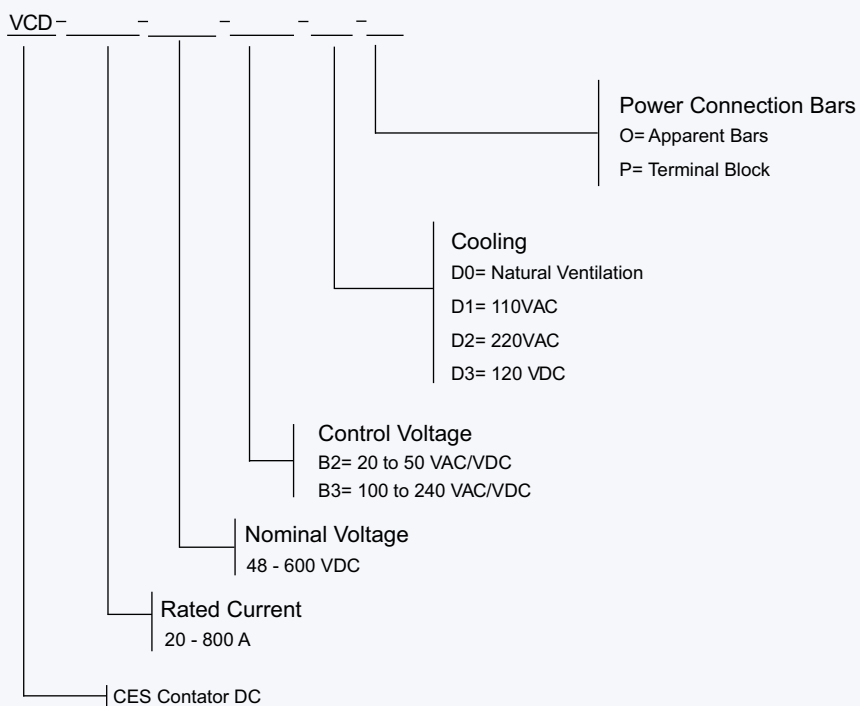
Models from 20 to 800 A DC

Nominal Voltages: 48 to 600 VDC

Control voltages: 20 to 50 VAC/VDC, 100 to 240 VAC/VDC

Static Auxiliary Contacts: 2 NO + 2 NC (10 to 250 VAC / VDC - 1A max)

Key Code



ABOUT VARIXX

For over 40 years, Varixx has pursued its vocation for developing high-tech products and focuses its efforts on serving the industrial market with quality and speed. Our know-how in power electronics has allowed us to offer the market a wide range of products that have become known for their long service life and reliability. We were the creators of the global online thermography market, with the Zyggot line, which is becoming a global reference in the market for temperature monitoring and diagnostics and arc flash detection in electrical systems in general.

Our product portfolio also includes LED luminaires from our ONNO division, developed and manufactured 100% in Brazil with cutting-edge technology. Varixx values the introduction of innovative concepts worldwide.

AREAS OF ACTIVITY

- ✓ **MANUFACTURERS OF GENERATOR MACHINES AND SYNCHRONOUS MOTORS**
Static Exciters, Control Box Controllers, Low and Medium Voltage Soft Starters, Semiconductors and Onno LED Luminaires.
- ✓ **ALUMINUM AND HYDROGEN / OXYGEN PRODUCTION**
High Current Rectifiers, Solid State Contactors, Smart Relay for CCM, Online Thermography System / Continuous Temperature Monitoring and Arc Flash Detection, Onno LED Luminaires.
- ✓ **BASE INDUSTRY, MINING AND STEEL**
Smart Relays for CCMs, Low and Medium Voltage Soft Starters, Solid State Contactors, AC/DC Converters for Electromagnets, High Current Rectifiers, Online Thermography System / Continuous Temperature Monitoring, Arc Flash Protection, Onno LED Luminaires.
- ✓ **OIL COMPANIES**
Smart Relays for CCMs, Static Excitation, Low and Medium Voltage Soft Starters, Solid State Contactors / Continuous Temperature Monitoring, Online Thermography System, Arc Flash Protection, Onno LED Luminaires.
- ✓ **PANEL BUILDERS**
Smart Relays for CCMs, Online Thermography / Continuous Temperature Monitoring, Arc Flash Detection and Protection Systems, Semiconductors, Solid State Contactors, Power Supplies, Onno LED Luminaires.

Access our Site and get more information
about Varixx contactor solutions

United States - Houston, TX

2929 Allen Parkway, Suite 200, Houston, 77019

+1 832 871- 5704

Brasil - Piracicaba, SP

Rua Phelipe Zaidan Maluf, 450 - Distrito Industrial Unileste

+55 (19) 3424 4000 // (19) 3301 6900
+55 (19) 9 8124-6974

vendas@varixx.com.br

sales@varixx.com

WORLDWIDE

Distributors and Representatives in more than 15 countries



@Varixxbrasil



@varixxcompany



Varixx Indústria Eletrônica



www.varixx.com
www.varixx.com.br

Representative / Distributor:

varixx
create to bond