


ONNO

 a varixx solution

ONNOLED

High-quality industrial line

ONNO Led, the energy of a young brand combined with the nearly 50 years of experience of Varixx, a manufacturer of innovative and reliable electronic equipment. ONNO Led luminaires are entirely designed and produced vertically at Varixx, and stand out technologically from the competition.

They deliver quality assurance, support, and after-sales service. Modern, efficient, and reliable, they are constructed entirely of aluminum, stainless steel, polycarbonates, and UV-resistant lenses.



Does not use heavy metals or pollutants



Does not emit ultraviolet or infrared radiation



High luminous efficiency and durability



Various types of applications and fastening options



Retrofit possibility

ONNOLED

The most efficient line of lighting fixtures on the market, 100% produced in Brazil, with 10 families and over 300 models.



ONNOLED

Discover our range of lighting fixtures

04. Highbay | Pending

Designed for lighting large industrial spaces with high ceilings

11. Rail | Cable Tray

Ideal for installations directly on profiles and cable trays

17. Projector | Reflector

Directional lighting for all types of indoor and outdoor environments

22. Downlight | Overlay

Ceiling and ceiling mounted lighting

27. GAP | Embed

Ideal for embedding in industrial and commercial ceilings

30. Agriculture | Indoor and Outdoor

Suitable for agriculture in controlled indoor and outdoor environments

32. Street | Post

To be fixed to poles in external commercial areas and public spaces



MERIDIAN

Technical Information

Luminous Efficiency: 165lm/W

Degree of Protection: IP67

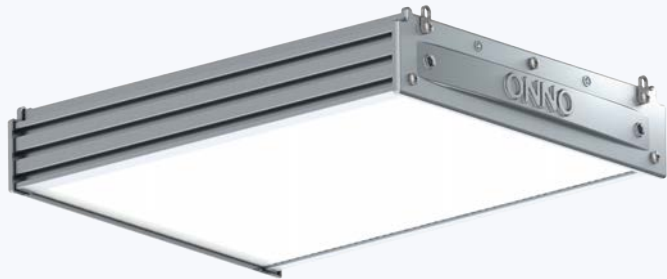
Light Beam (lens):

20° | 60° | 90° | 25° x 60° | 45° x 80° | 80° x 80°

Power (W): 55 | 110 | 165 | 220

Luminous Flux (lm): 8800 | 17600 | 26400 | 35200

Designed for lighting large industrial spaces with high ceilings



Double



SQR SOLID

Single

Technical Information

Luminous Efficiency: 160lm/W

Degree of Protection: IP64

Light Beam (lens): 90° | 110°

Power (W): 240

Luminous Flux (lm): 38400

Designed for lighting large industrial spaces with high ceilings



Single



Double



Triple



Designed for lighting large industrial spaces with high ceilings

AVENA

Single | Double | Triple

Luminous Efficiency: 160lm/W

Degree of Protection: IP67

Light Beam (lens):

20° | 60° | 90° | 25° x 60° | 45° x 80° | 80° x 110°

Single

Power (W): 45 | 90 | 135 | 180

Luminous Flux (lm): 7200 | 14400 | 21600 | 28800

Double

Power (W): 90 | 180 | 270 | 360

Luminous Flux (lm): 1400 | 28800 | 43200 | 57600

Triple

Power (W): 135 | 270 | 405

Luminous Flux (lm): 21600 | 43200 | 64800



VISION

Single | Double

Technical Information

Luminous Efficiency: 130lm/W

Degree of Protection: IP60

Light Beam (lens): 115°

Single

Power (W): 10 | 20 | 30 | 40

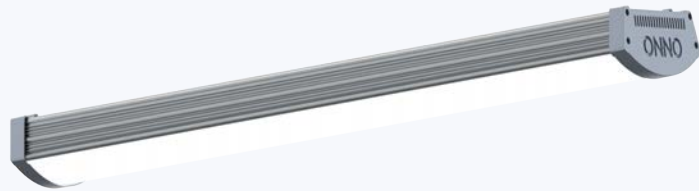
Luminous Flux (lm): 1300 | 2600 | 3900 | 5200

Double

Power (W): 20 | 40 | 60 | 80

Luminous Flux (lm): 2600 | 5200 | 7800 | 10400

Designed for lighting large industrial spaces with high ceilings



SLIM FLEXIBLE

Technical Information

Luminous Efficiency: 130lm/W

Degree of Protection: IP60

Light Beam (lens): 107°

Power (W): 20 | 40 | 60 | 80

Luminous Flux (lm): 2600 | 5200 | 7800 | 10400

Designed for lighting large industrial spaces with high ceilings



SLIM POWER

Technical Information

Luminous Efficiency: 160lm/W

Degree of Protection: IP60

Light Beam (lens): 107°

Power (W): 40 | 80 | 120 | 160

Luminous Flux (lm): 6400 | 12800 | 19200 | 25600

Designed for lighting large industrial spaces with high ceilings



ROUND STYLE

Technical Information

Luminous Efficiency: 160lm/W

Degree of Protection: IP65

Light Beam (lens): 90°

Power (W): **140**

Luminous Flux (lm): **22400**

Designed for lighting large industrial spaces with high ceilings



MERIDIAN

Technical Information

Luminous Efficiency: 165lm/W

Degree of Protection: IP67

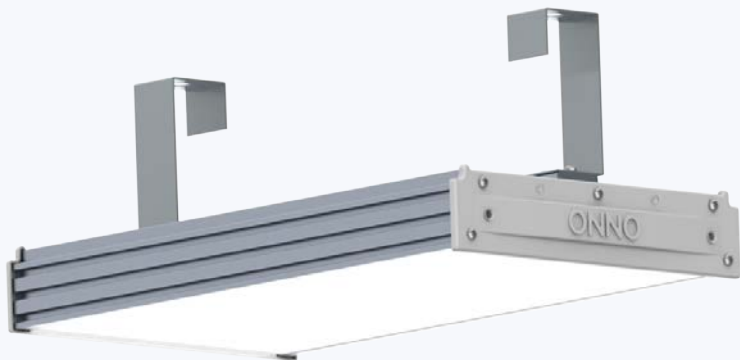
Light Beam (lens):

20° | 60° | 90° | 25° x 60° | 45° x 80° | 80° x 110° | 80° x 130° | 100° x 140°

Power (W): 55 | 110 | 165 | 220

Luminous Flux (lm): 8800 | 17600 | 26400 | 35200

Ideal for installations directly on profiles and cable trays



SQR SOLID

Single

Technical Information

Luminous Efficiency: 160lm/W

Degree of Protection: IP64

Light Beam (lens): 90° | 110°

Power (W): 80 | 120 | 160 | 240

Luminous Flux (lm): 12800 | 19200 | 25600 | 38400

Ideal for installations directly on profiles and cable trays



Single



Double



Triple



Ideal for installations directly on profiles and cable trays

AVENA

Single | Double | Triple

Luminous Efficiency: 160lm/W

Degree of Protection: IP67

Light Beam (lens):

20° | 60° | 90° | 25°x60° | 45°x80° 80°x110° | 80°x130° | 100° x 140°

Single

Power (W): 45 | 90 | 135 | 180

Luminous Flux (lm): 7200 | 14400 | 21600 | 28800

Double

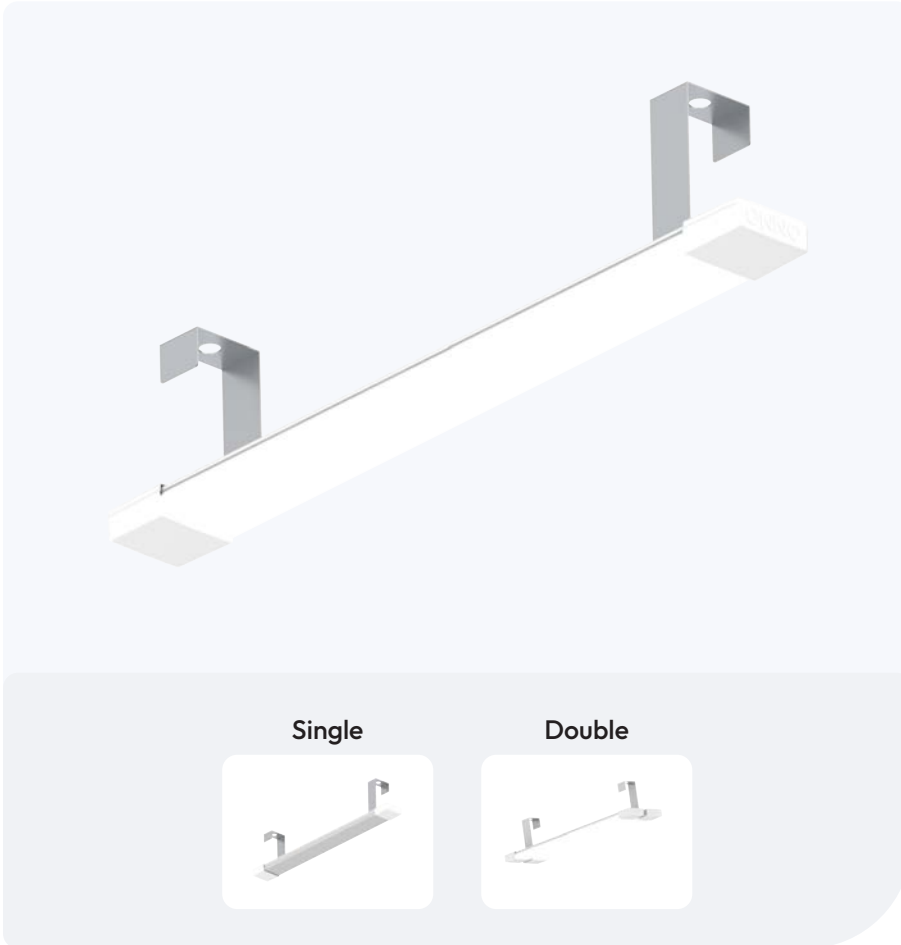
Power (W): 90 | 180 | 270 | 360

Luminous Flux (lm): 1400 | 28800 | 43200 | 57600

Triple

Power (W): 135 | 270 | 405

Luminous Flux (lm): 21600 | 43200 | 64800



VISION

Single | Double

Technical Information

Luminous Efficiency: 160lm/W

Degree of Protection: IP67

Light Beam (lens): 115°

Single

Power (W): 20 | 30 | 40

Luminous Flux (lm): 2600 | 3900 | 5200

Double

Power (W): 40 | 60 | 80

Luminous Flux (lm): 5200 | 7800 | 10400

Ideal for installations directly on profiles and cable trays



SLIM FLEXIBLE

Technical Information

Luminous Efficiency: 130lm/W

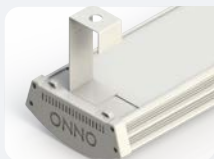
Degree of Protection: IP60

Light Beam (lens): 107°

Power (W): 20 | 40 | 60 | 80

Luminous Flux (lm): 2600 | 5200 | 7800 | 10400

Ideal for installations directly on profiles and cable trays



SLIM POWER

Technical Information

Luminous Efficiency: 160lm/W

Degree of Protection: IP60

Light Beam (lens): 107°

Power (W): 40 | 80 | 120 | 160

Luminous Flux (lm): 6400 | 12800 | 19200 | 25600

Ideal for installations directly on profiles and cable trays



MERIDIAN FLOW

Technical Information

Luminous Efficiency: 160lm/W

Degree of Protection: IP67

Light Beam (lens):

20° | 60° | 90° | 25° x 60° | 45° x 80° 80° x 110° | 80° x 130° | 100° x 140°

Power (W): 55 | 110 | 165 | 220

Luminous Flux (lm): 8800 | 17600 | 26400 | 35200

Directional lighting for all types of indoor and outdoor environments



MERIDIAN HEAVY

Technical Information

Luminous Efficiency: 160lm/W

Degree of Protection: IP67

Light Beam (lens):

20° | 60° | 90° | 25° x 60° | 45° x 80° | 80° x 110° | 80° x 130° | 100° x 140°

Power (W): 55 | 110 | 165 | 220

Luminous Flux (lm): 8800 | 17600 | 26400 | 35200

Directional lighting for all types of indoor and outdoor environments



MERIDIAN LIGHT

Technical Information

Luminous Efficiency: 160lm/W

Degree of Protection: IP67

Light Beam (lens):

20° | 60° | 90° | 25° x 60° | 45° x 80° | 80° x 110° | 80° x 130° | 100° x 140°

Power (W): 55 | 110 | 165 | 220

Luminous Flux (lm): 8800 | 17600 | 26400 | 35200

Directional lighting for all types of indoor and outdoor environments



SQR SOLID

Single

Technical Information

Luminous Efficiency: 160lm/W

Degree of Protection: IP64

Light Beam (lens): 90° | 110°

Power (W): 80 | 120 | 160 | 240

Luminous Flux (lm): 12800 | 19200 | 25600 | 38400

Directional lighting for all types of indoor and outdoor environments



Single



Double



Triple



Quad



Directional lighting for all types of indoor and outdoor environments

AVENA

Single | Double | Triple | Quad

Luminous Efficiency: 160lm/W

Degree of Protection: IP67

Light Beam (lens):

20° | 60° | 90° | 25° x 60° | 45° x 80° 80° x 110° | 80° x 130° | 100° x 140°

Single

Power (W): 45 | 90

Luminous Flux (lm): 7200 | 14400

Double

Power (W): 90 | 180

Luminous Flux (lm): 14400 | 28800

Triple

Power (W): 135 | 270

Luminous Flux (lm): 21600 | 43200

Quad

Power (W): 180 | 360

Luminous Flux (lm): 28800 | 57600



AVENA

Single

Technical Information

Luminous Efficiency: 160lm/W

Degree of Protection: IP647

Light Beam (lens):

20° | 60° | 90° | 25° x 60° | 45° x 80° 80° x 110° | 80° x 130° | 100° x 140°

Power (W): 45 | 90 | 135 | 180

Luminous Flux (lm): 7200 | 14400 | 21600 | 28800

Ceiling and ceiling mounted lighting



SQR SOLID

Single

Technical Information

Luminous Efficiency: 160lm/W

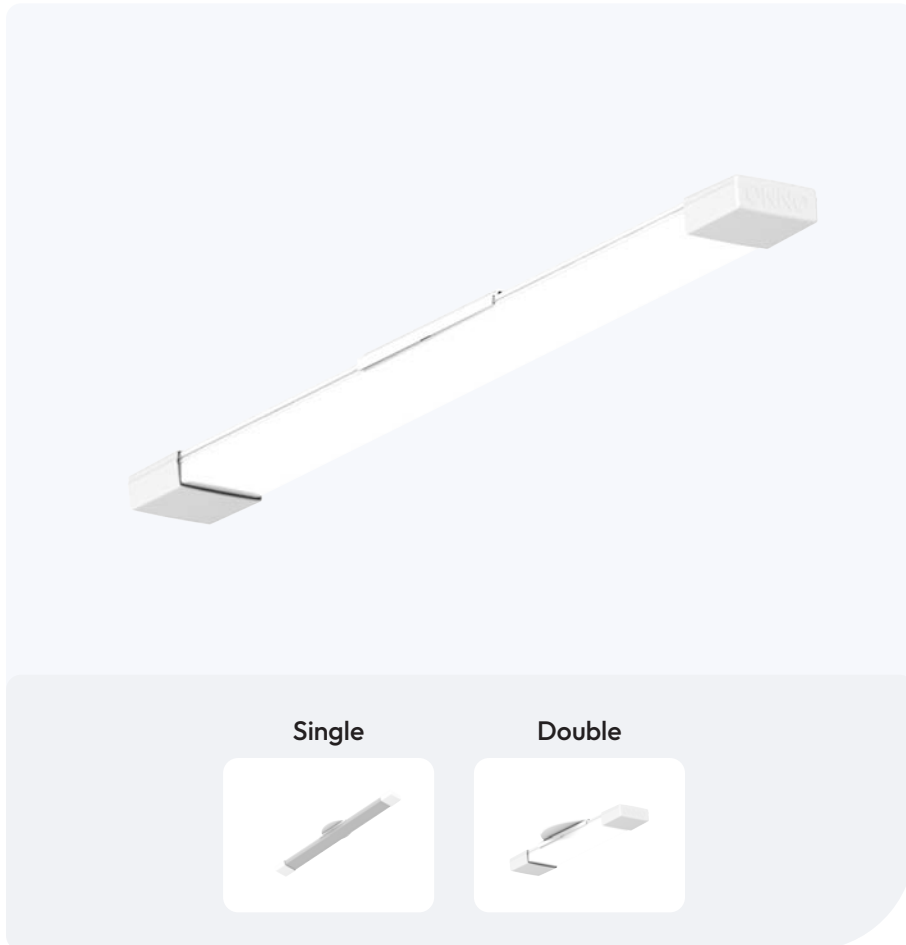
Degree of Protection: IP64

Light Beam (lens): 90° | 110°

Power (W): 80 | 120

Luminous Flux (lm): 12800 | 19200

Ceiling and ceiling mounted lighting



VISION

Single | Double

Technical Information

Luminous Efficiency: 130lm/W

Degree of Protection: IP60

Light Beam (lens): 115°

Single

Power (W): 10 | 20 | 30 | 40 | 60

Luminous Flux (lm): 1300 | 2600 | 3900 | 5200 | 7800

Double

Power (W): 2040 | 60 | 80

Luminous Flux (lm): 2600 | 5200 | 7800 | 10400

Ceiling and ceiling mounted lighting



SLIM FLEXIBLE

Technical Information

Luminous Efficiency: 130lm/W

Degree of Protection: IP60

Light Beam (lens): 107°

Power (W): 20 | 40 | 60 | 80

Luminous Flux (lm): 2600 | 5200 | 7800 | 10400

Ceiling and ceiling mounted lighting



SLIM POWER

Technical Information

Luminous Efficiency: 160lm/W

Degree of Protection: IP60

Light Beam (lens): 107°

Power (W): 40 | 80 | 120 | 160

Luminous Flux (lm): 6400 | 12800 | 19200 | 25600

Ceiling and ceiling mounted lighting



Single



Double



Triple



Ideal for embedding in industrial and commercial ceilings

AVENA

Single | Double | Triple

Technical Information

Luminous Efficiency: 160lm/W

Degree of Protection: IP67

Light Beam (lens):

20° | 60° | 90° | 25° x 60° | 45° x 80° | 80° x 110° | 80° x 130° | 100° x 140°

Single

Power (W): 45 | 90

Luminous Flux (lm): 7200 | 14400

Double

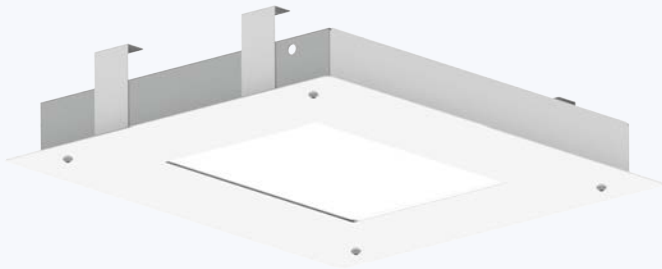
Power (W): 90 | 180

Luminous Flux (lm): 1400 | 28800

Triple

Power (W): 135 | 270

Luminous Flux (lm): 21600 | 43200



SQR SOLID GAP

Single

Technical Information

Luminous Efficiency: 160lm/W

Degree of Protection: IP64

Light Beam (lens): 90° | 110°

Power (W): 80 | 120

Luminous Flux (lm): 12800 | 19200

Ideal for embedding in industrial and commercial ceilings



CLEAR ROUND GAP

Single

Technical Information

Luminous Efficiency: 100lm/W

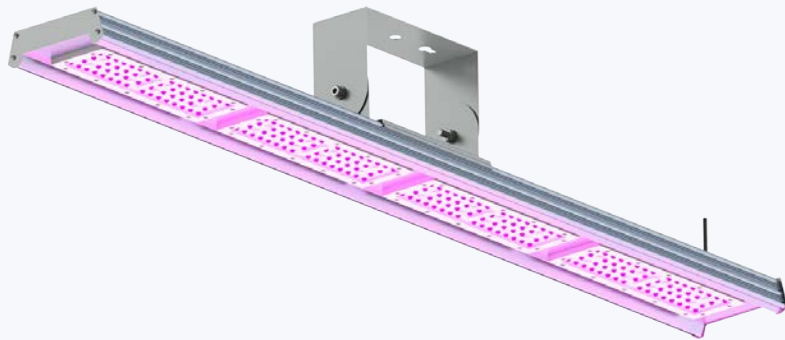
Degree of Protection: IP60

Light Beam (lens): 90°

Power (W): 24

Luminous Flux (lm): 2400

Ideal for embedding in industrial and commercial ceilings



AVENA AGRICULTURE

Single

Technical Information

Luminous Efficiency: 160lm/W

Degree of Protection: IP67

Light Beam (lens):

20° | 60° | 90° | 25° x 60° | 45° x 80° | 80° x 110° | 80° x 130° | 100° x 140°

Single

Power (W): 45 | 90 | 135 | 180

Luminous Flux (lm): 90 | 180 | 270 | 360

Suitable for agriculture in controlled indoor and outdoor environments



VISION

Technical Information

Luminous Efficiency: 2 $\mu\text{ms/W}$

Degree of Protection: IP60

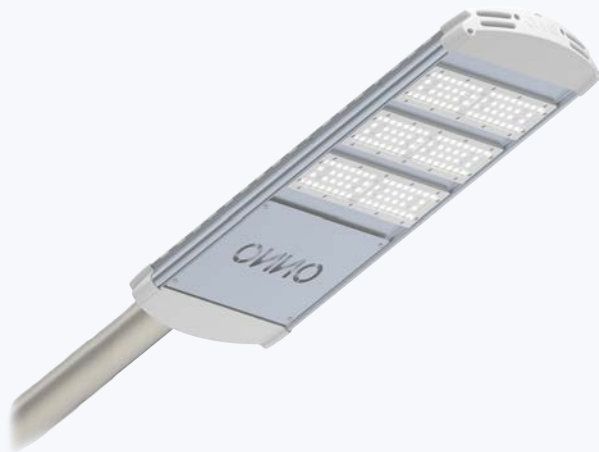
Light Beam (lens): 115°

Single

Power (W): 20

Luminous Flux (lm): 40

Suitable for agriculture in controlled indoor and outdoor environments



MERIDIAN FLOW

Technical Information

Luminous Efficiency: 160lm/W

Degree of Protection: IP67

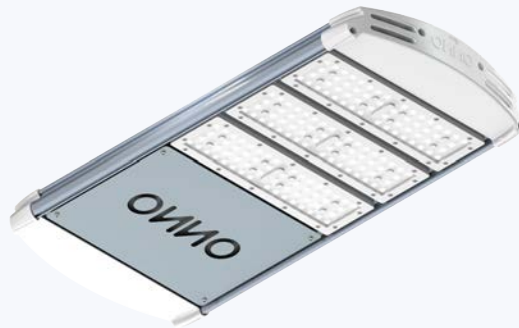
Light Beam (lens):

20° | 60° | 90° | 25° x 60° | 45° x 80° | 80° x 110° | 80° x 130° | 100° x 140°

Power (W): 55 | 110 | 165 | 220

Luminous Flux (lm): 8800 | 17600 | 26400 | 35200

To be fixed to poles in external commercial areas and public spaces



MERIDIAN HEAVY

Technical Information

Luminous Efficiency: 160lm/W

Degree of Protection: IP67

Light Beam (lens):

20° | 60° | 90° | 25° x 60° | 45° x 80° | 80° x 110° | 80° x 130° | 100° x 140°

Power (W): 55 | 110 | 165 | 220

Luminous Flux (lm): 8800 | 17600 | 26400 | 35200

To be fixed to poles in external commercial areas and public spaces



AVENA

Single | Double | Triple | Quad | Penta

Luminous Efficiency: 160lm/W

Degree of Protection: IP67

Light Beam (lens):

20° | 60° | 90° | 25° x 60° | 45° x 80° 80° x 110° | 80° x 130° | 100° x 140°

Single

Power (W): 45

Luminous Flux (lm): 7200

Double

Power (W): 90

Luminous Flux (lm): 14400

Triple

Power (W): 135

Luminous Flux (lm): 21600

Quad

Power (W): 180

Luminous Flux (lm): 28800

To be fixed to poles in external commercial areas and public spaces



Penta



AVENA

Penta

Technical Information

Luminous Efficiency: 160lm/W

Degree of Protection: IP67

Light Beam (lens):

20° | 60° | 90° | 25° x 60° | 45° x 80° | 80° x 110° | 80° x 130° | 100° x 140°

Power (W): 225

Luminous Flux (lm): 36000


To be fixed to poles in external commercial areas and public spaces


varixx

Consolidating innovations for almost half a century

Founded in 1976, Varixx is a Brazilian company recognized for developing technological solutions in the field of sensitive electronics, with products developed and manufactured entirely in Brazil. It has built a solid reputation as an innovative company, based on its know-how in constant development, backed by numerous technological patents.

Varixx is also recognized for the exceptional robustness and durability of its products, serving critical sectors such as hydroelectric, petrochemical, steel, mining, chemical, among others, where safety and reliability are essential. It is worth highlighting its after-sales service, a source of pride due to the close relationship it maintains with its customers.

 +1 832 871-5704

 +55 (19) 98124-6974

 sales@varixx.com

 <https://www.linkedin.com/varixx>

 varixx.com

